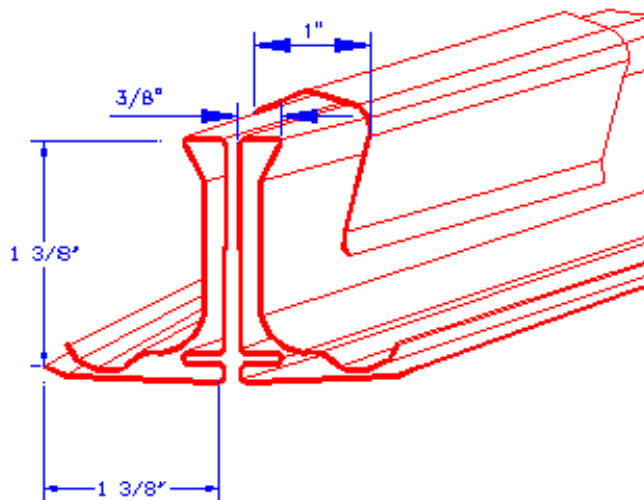
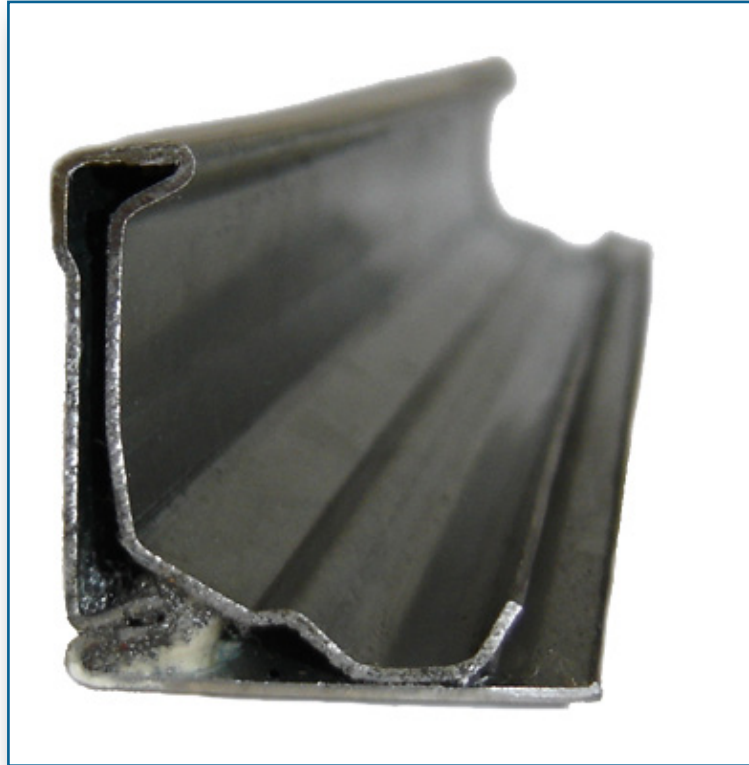


# ***J FLANGE***



Elgen Manufacturing  
300 Murray Hill Parkway, East Rutherford, NJ 07073  
(800) 503-9805 :: [www.elgenmfg.com](http://www.elgenmfg.com)

## DESCRIPTION

Elgen's J Flange is ribbed for additional strength. Connection systems consist of roll-formed flanges, corner pieces, gasket, and cleat. The flanges attach to the duct wall and have an integral mastic which allows the flange to seal itself to the duct.

Elgen's J Flange is used to connect rectangular ducts and provide a rigid, and a virtually leak-free connection.

## SPECIAL FEATURES

- Sealing materials meet NFPA 90A & B Class 1 requirements
- The Elgen J Flange System is not recommended for applications with duct gauges heavier than 16 GA, or lighter than 26 GA

## TECHNICAL INFORMATION

The Elgen J Flange is tested in accordance with SMACNA testing procedures. No external sealant was employed and the test results reveal: The Elgen J Flange System is comparable to the SMACNA Class "J" transverse joint. The Elgen J Flange in stainless steel exhibits the same performance as galvanized. The Elgen J Flange in Aluminum is comparable to a SMACNA H connection. Do not notch the corners when fabricating duct work for the Elgen J Flange System.

## PRODUCT SPECIFICATIONS

- 20 GA
- Galvanized
- ST/ST#304 -ST/ST#316
- Aluminum - PCD Coated
- Galvanneal (Paint Grip)

## PACKAGING

<u>Length</u>	<u>GA</u>	<u>FT Per Bundle</u>
10'	20	750'
20'	20	1500' & 3000'

## PRODUCT GUARANTEE

Elgen's J Flange is guaranteed by Elgen Manufacturing for defective material.