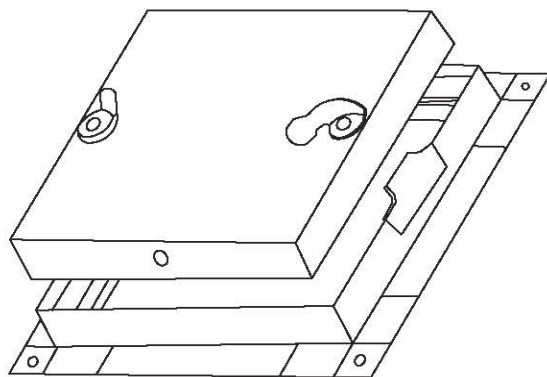




# ***PRESS ON ACCESS DOORS (CAMMED) (C)***



Elgen Manufacturing  
300 Murray Hill Parkway, East Rutherford, NJ 07073  
(800) 503-9805 :: [www.elgenmfg.com](http://www.elgenmfg.com)

## DESCRIPTION

Elgen's Press On Access Door Cammed (C) is used to provide easy access into rectangular ductwork.

## SPECIAL FEATURES

- Insulated with 1.5# Density Fiberglass Liner
  - Union Made

## TECHNICAL INFORMATION

- Meets 2005 SMACNA Standards for pressure class & gauges  
(Refer to page 7-2, figure 7-2)
- Manufactured from ASTM A-653 G60/G90 material

## PRODUCT SPECIFICATIONS

Available In:

- Galvanized
- Stainless Steel
- Aluminum

## PACKAGING

Stock Size	Box Qty
6" x 6"	10 Per Box
8" x 8"	10 Per Box
10" x 10"	10 Per Box
12" x 12"	10 Per Box
14" x 14"	10 Per Box

Stock Size	Box Qty
16" x 16"	6 Per Box
18" x 18"	6 Per Box
20" x 20"	6 Per Box
24" x 24"	6 Per Box
16" X 12"	6 Per Box
24" x 12"	6 Per Box

Available in Special Sizes Upon Request

## PRODUCT GUARANTEE

Elgen's Access Door C is guaranteed by Elgen Manufacturing against defective material.